



GENUINE PARTS

INSTALLATION INSTRUCTIONS

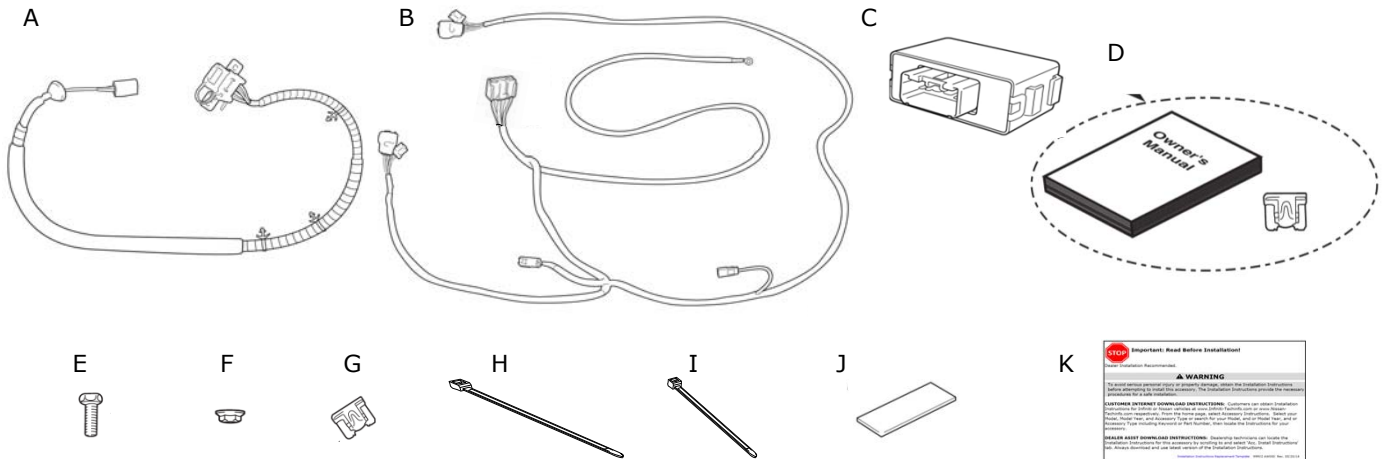
1 DESCRIPTION: Trailer Tow Harness

2 APPLICATION: Nissan Murano

3 PART NUMBER: 999T8 C3010

4 KIT CONTENTS: 999T8 C3010

Item	Qty.	Part Description	Service Part Number
A	1	Exterior Harness	999T8 CU000S2
B	1	Interior Harness	N/A
C	1	Convertor	999T8 NW000S1
D	1	Owners Manual Kit	N/A
E	2	M5 Bolt	N/A
F	2	M5 Nut	N/A
G	1	30 A Mini Fuse	N/A
H	3	Heat Resistant Tie Wrap	N/A
I	25	Tie Wrap	N/A
J	1	Gray Foam tape	N/A
K	1	Installation Instructions Replacement Template	999V2 AW000
L	N/A	Installation Instructions	999T8 C3000II



5 TOOLS REQUIRED:

- Nylon Trim Tool
- Flash Light
- Small Screw driver
- Plastic clip removal tool
- Isopropyl alcohol
- 3/8" Drive Ratchet
- 3/8" Sockets: 10mm, 13mm
- Torque Wrench (3 Nm to 15 Nm)
- 3/8" Drive 300mm Extension
- Combination Wrenches: 10mm, 13mm
- Trailer Harness Tester (if available)
- 1/4" Drive Ratchet
- 1/4" Socket: 8mm
- 8mm Wrench

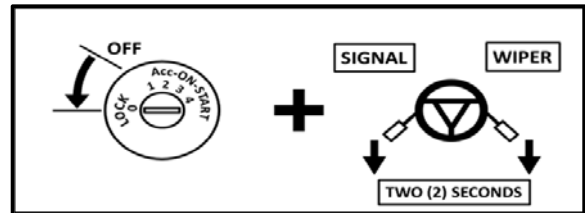
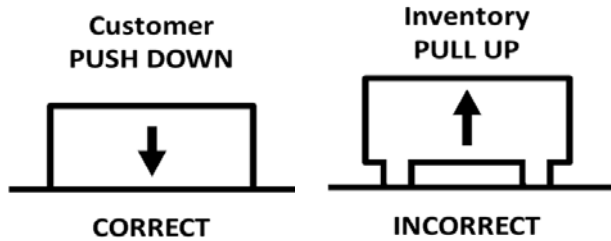
6 VEHICLE PREPARATION:

⚠ CAUTION

• **Always confirm the ignition is in the "OFF" position before changing the switch condition.**

- 1) Apply parking brake
- 2) Confirm vehicle is not in default shipping state or "Inventory position" as shown below. Failure to confirm vehicle has been removed from this state will result in loss of normal vehicle operation.
- 3) Locate Extended Storage Switch in cabin fuse block. Confirm it is in the "Customer" position. See below for reference.
 - a) To remove transit mode (Fuse Block):
 1. Remove fuse cover lid.
 2. Push down shorting pin.
 3. Ign On 2 times without starting vehicle.
 - b) To remove transit mode (BCM):
 1. Confirm ignition switch is in "OFF" position.
 2. Simultaneously push the signal and wiper switch fully down for two (2) seconds.

NOTE: While in the BCM Transit Mode, the turn signal indicators will remain illuminated for one minute.



- c) To return to transit mode for storage:
 1. Ign Off.
 2. Remove fuse cover lid.
 3. Pull up shorting pin.
 4. Assemble fuse cover lid.
 5. Ign On 2 times without starting vehicle.
 6. Confirm transit mode condition on meter

NOTE: Typical vehicle condition shown above. Switch is easily identifiable by permanent, push-pull fuse holder. Actual position on fuse block may vary, vehicle to vehicle.

Condition	Switch Position	Note
Vehicle is delivered to the dealer	Inventory Condition	
Technician performs PDI	Customer Delivery	Return to Inventory position after PDI.
Customer test drives the vehicle	Customer Delivery	Return to Inventory position after test drive.
Vehicle is being stored at the dealer	Inventory Condition	
Vehicle is delivered to customer	Customer Delivery	

NOTE: Extended Storage Switch is only an aid to improve battery life during vehicle storage at the dealer. If Extended Storage Switch fuse ever needs service after vehicle delivery, discard Extended Storage Switch and install the correct fuse in its place.

- 4) Turn ignition switch to "ON" position
- 5) Record customer radio presets and other presets as required.

Preset	1	2	3	4	5	6		

- 6) Put shift lever in "P" position for A/T and CVT or "1st" for M/T
- 7) Turn ignition switch to "OFF" position
- 8) Use seat and floor protection.

7 PRE-INSTALLATION CAUTIONS

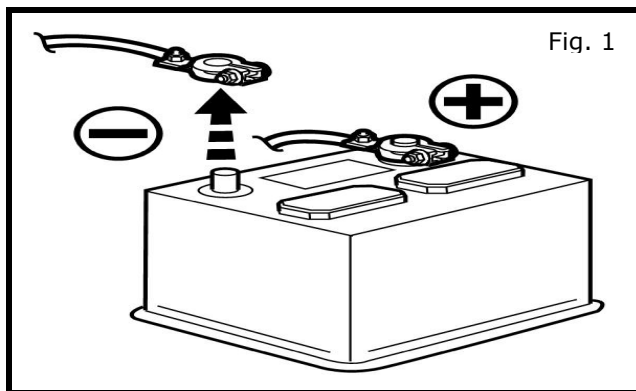
⚠ CAUTION

- Dealer Installation Recommended. Instructions refer to Service Manual.
- Please read this instruction carefully before installing this product for correct installation.
- Do not use or install the part in ways other than what is described in this instruction manual.
- If problem occurs during installation, contact Nissan dealer where accessory was purchased .
- Take care not to scratch or damage any component during the removal or re-installation process.
- Trim pieces found to have witness marks or broken clips are not to be reinstalled.
- Additional items in cargo area may need to be removed.
- Remove vehicle parts in the sequence they are shown, improper procedure can damage parts.
- Store removed parts in a safe and protected manner.

8 CRITICAL STEPS

⚠ CAUTION

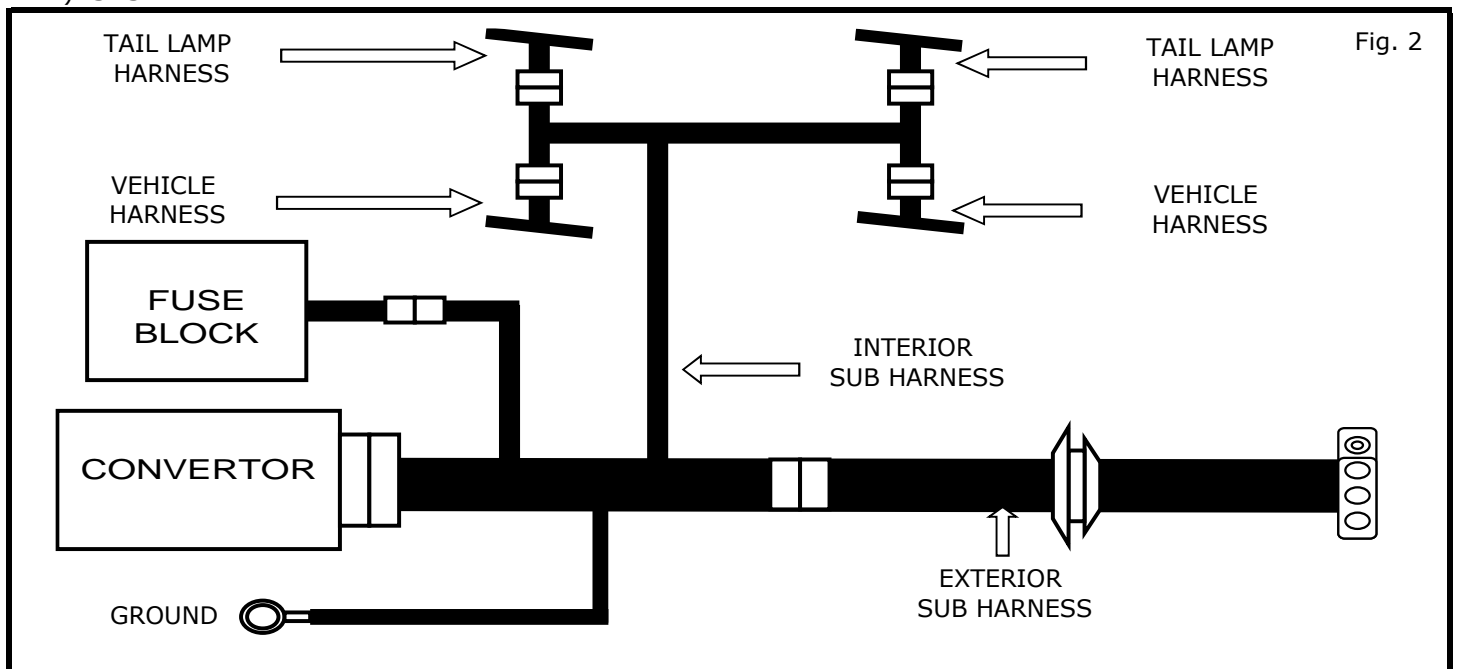
- Allow 3 min after key off and doors closed for vehicle to time out.
- Allow an additional 3 min after negative terminal dis-connect before separating any electrical connectors.



- 7) Disconnect negative battery terminal as shown in Fig. 1.
- 8) Use seat and floor protection.
- 9) This part is to be installed at surface temperature of 65-100 deg.F.

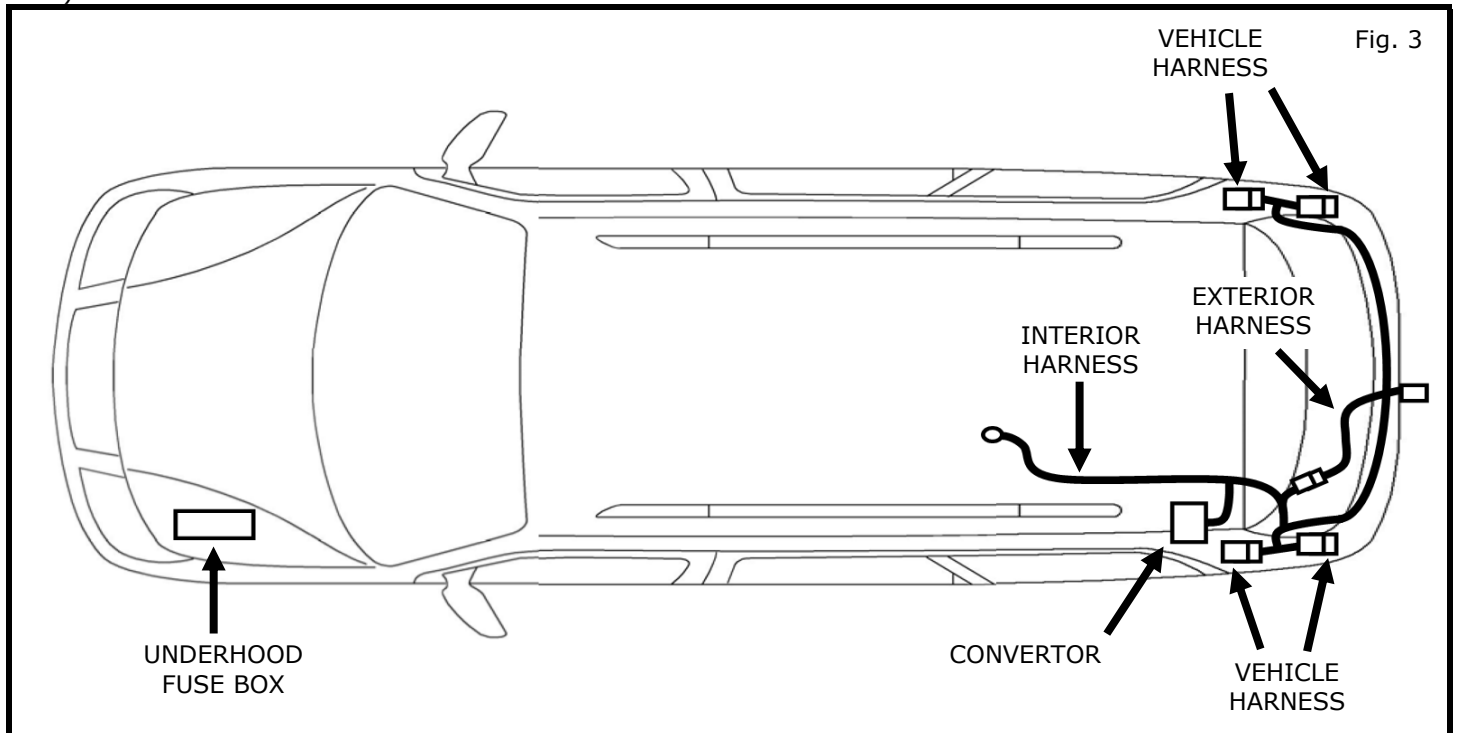
9 INSTALLATION OVERVIEW:

1.) SYSTEM



9 INSTALLATION OVERVIEW:

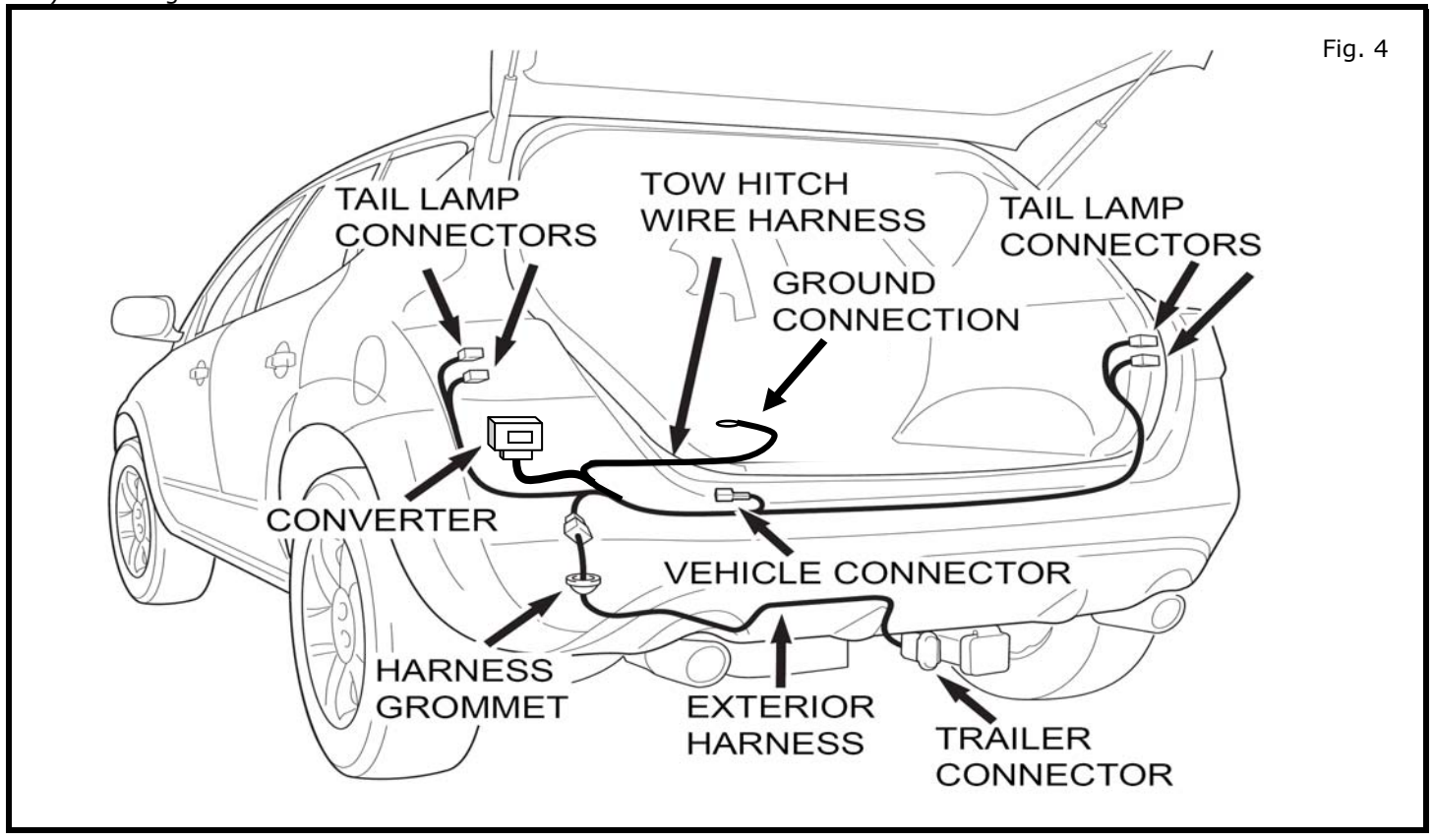
2.) VEHICLE



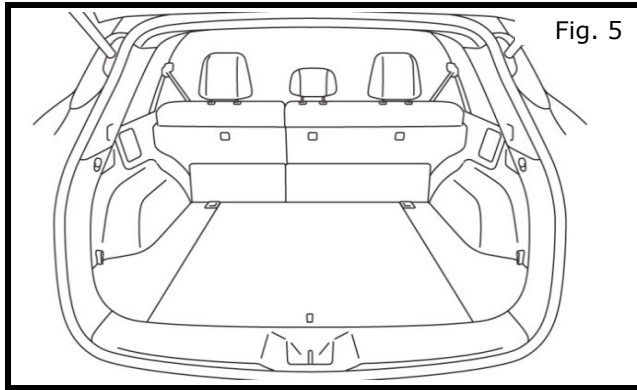
⚠ CAUTION

- Any description of vehicle wiring color is for reference only.
- Always refer to vehicle wiring diagram for details.

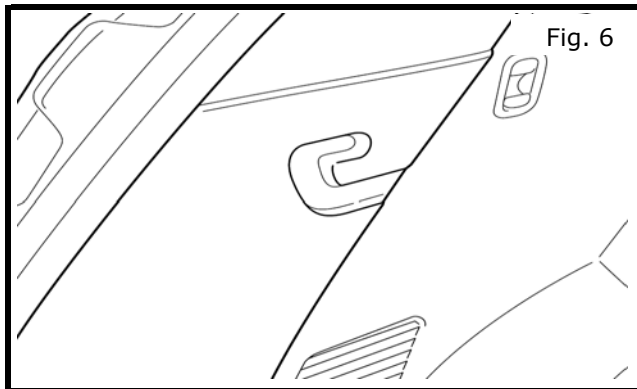
3) Routing



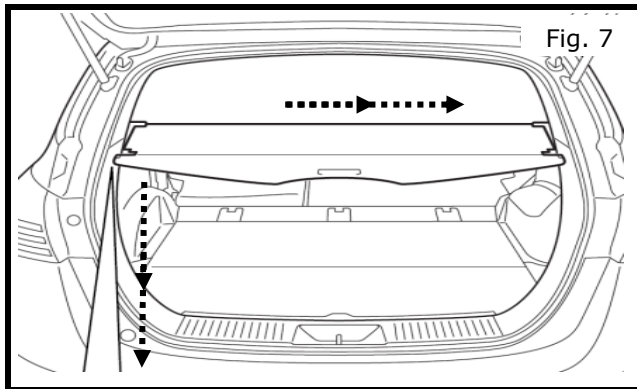
10 INSTALLATION PROCEDURE: VEHICLE PARTS REMOVAL



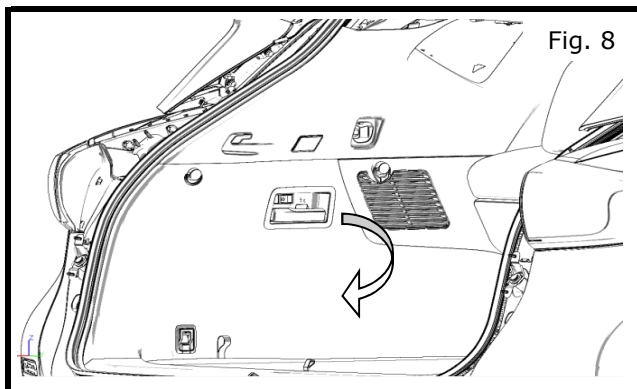
- 1) Removing package cover (if in use).
 - a) Open lift gate to access cargo area as shown in Fig. 5.



- 2) Removing package cover (if in use).
 - a) Unhook and retract package cover as shown in Fig. 6.

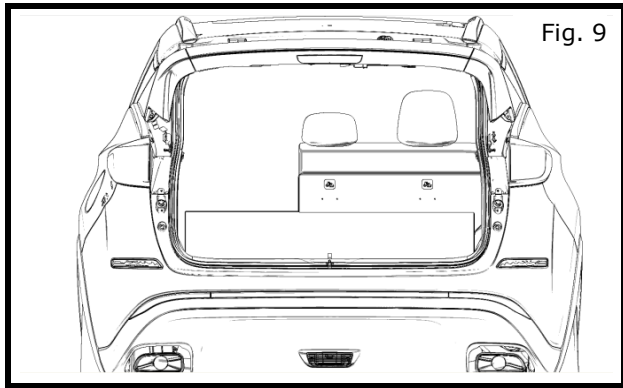


- 3) Removing package cover (if in use).
 - a) Grasp package cover with both hands and slide assembly to RH side of vehicle to collapse and then pull towards rear of vehicle to release as shown in Fig. 7.

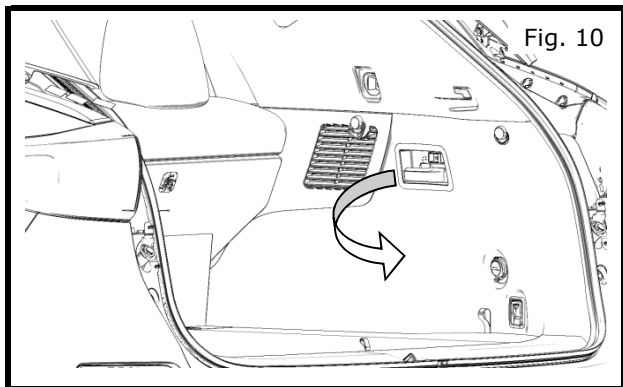


- 4) Folding down rear seats.
 - a) Locate handle on lower LH D-pillar trim and pull out toward inside of vehicle to fold LH seat down as shown in Fig. 8.

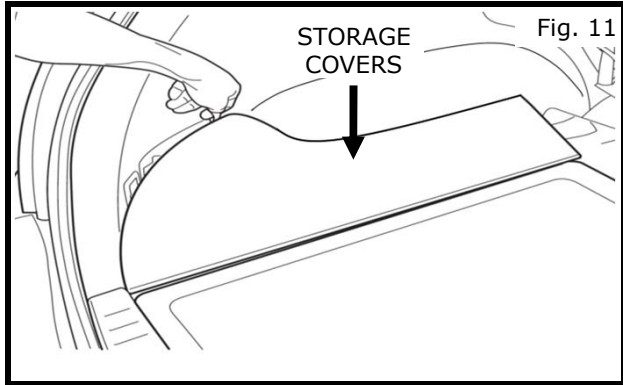
10 INSTALLATION PROCEDURE: VEHICLE PARTS REMOVAL



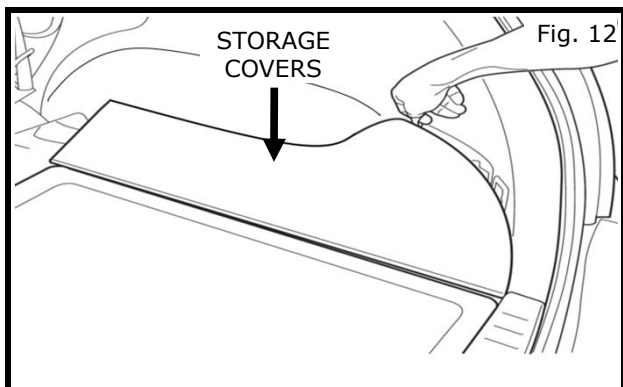
- 5) Folding down the rear seats.
 - a) If seat does not fold completely, check for interference between rear seat headrest and back of front seats as shown in Fig. 9.



- 6) Folding down the rear seats.
 - a) Locate handle on lower RH D-pillar trim and pull out toward inside of vehicle to fold RH seat down as shown in Fig. 10.

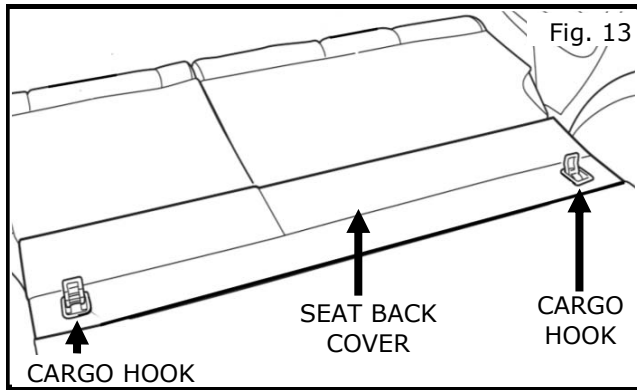


- 7) Removing side storage covers.
 - a) Remove LH side storage cover as shown in Fig. 11.

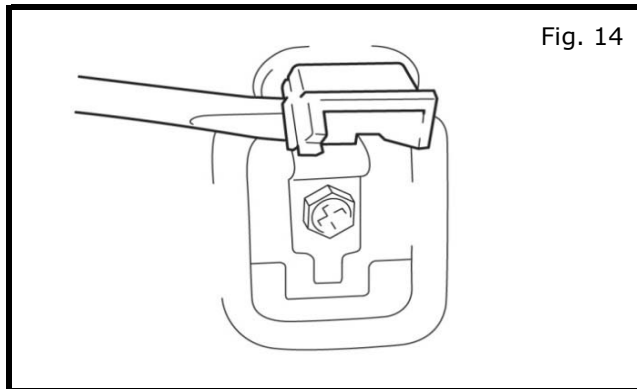


- 8) Removing side storage covers.
 - a) Remove RH side storage cover as shown in Fig. 12.

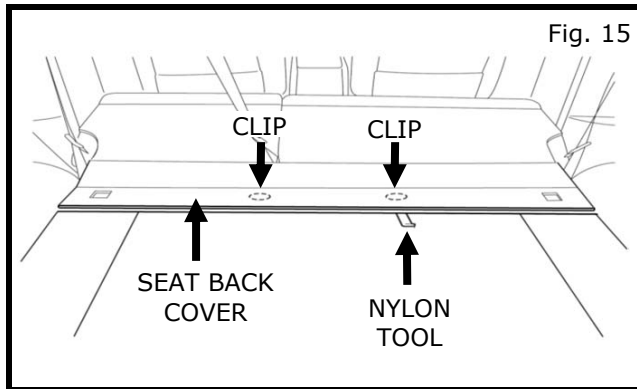
10 INSTALLATION PROCEDURE: VEHICLE PARTS REMOVAL



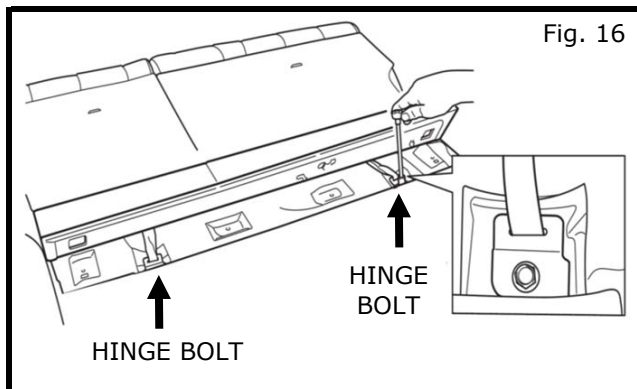
- 9) Removing seat back cover.
- a) Locate two (2) cargo hooks on rear seat trim panel as shown in Fig. 13.



- 10) Removing seat back cover.
- a) Gently pry cargo hook cover up with trim tool as shown in Fig. 14.
- b) Using a 10mm socket loosen bolt in the cargo hook. Bolt is integral to hook and should not be separated from it as shown in Fig. 14.

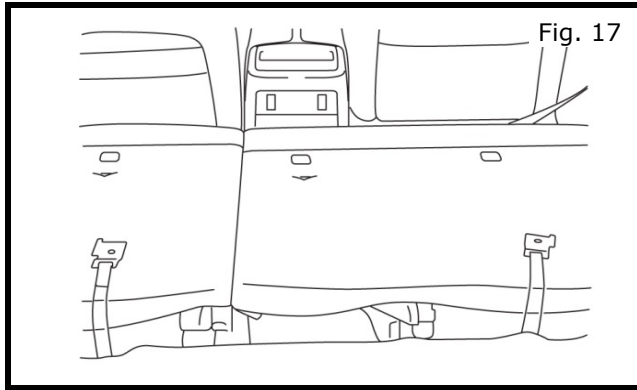


- 11) Removing seat back cover.
- a) Gently pry seat back cover up with trim tool as shown in Fig. 15.

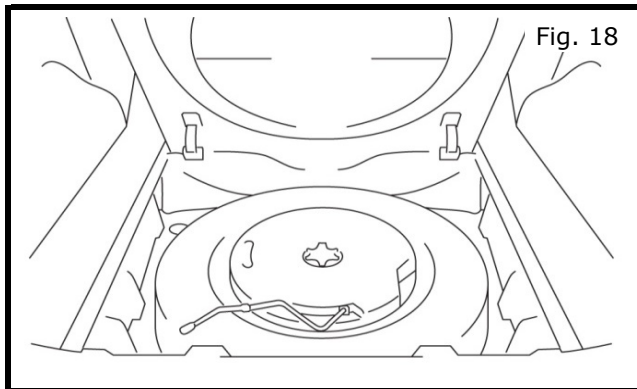


- 12) Removing spare tire storage cover.
- a) Using a 13mm socket loosen two (2) hinge retaining bolts as shown in Fig. 16.

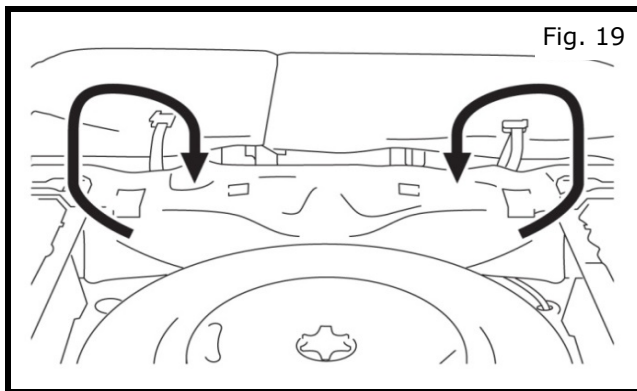
10 INSTALLATION PROCEDURE: VEHICLE PARTS REMOVAL



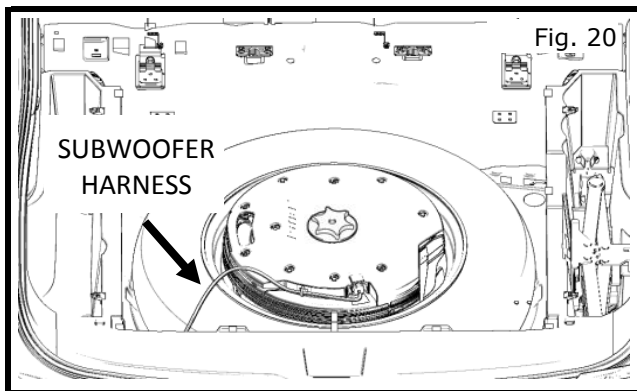
- 13) Removing spare tire storage cover.
a) Lay strap brackets on the back of rear seats as shown in Fig. 17.



- 14) Removing spare tire storage cover.
a) Carefully lift spare tire storage cover and remove from vehicle as shown in Fig. 18.

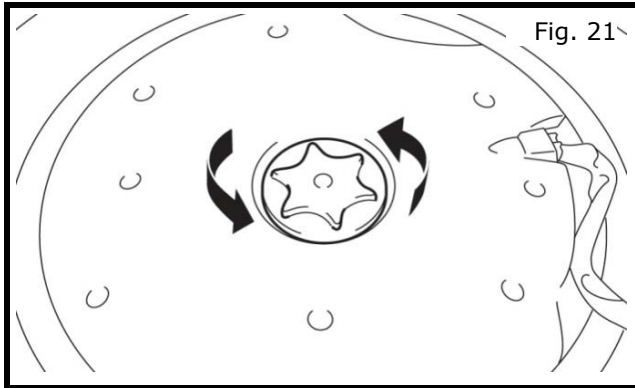


- 15) Vinyl Amplifier Cover
a) Carefully lift bottom edge of vinyl floor mat covering amplifier and grounds. Fold it up onto itself to gain access to harness below as shown in Fig. 19.

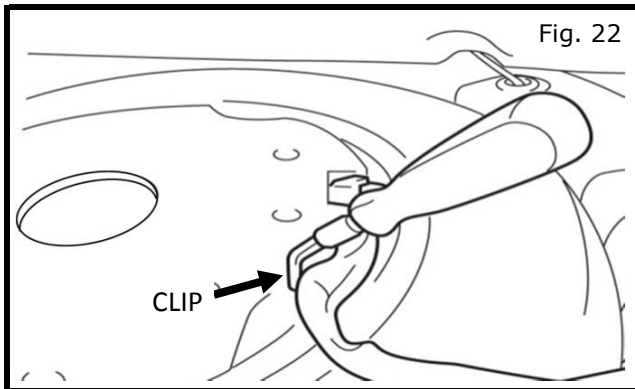


- 16) Removing subwoofer (if equipped).
a) Locate subwoofer harness coming from LH rear side of vehicle as shown in Fig.20.

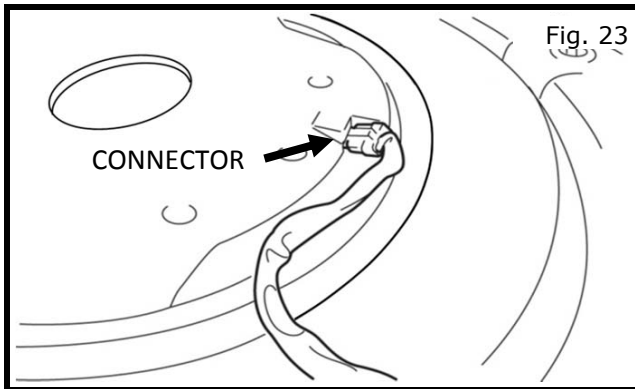
10 INSTALLATION PROCEDURE: VEHICLE PARTS REMOVAL



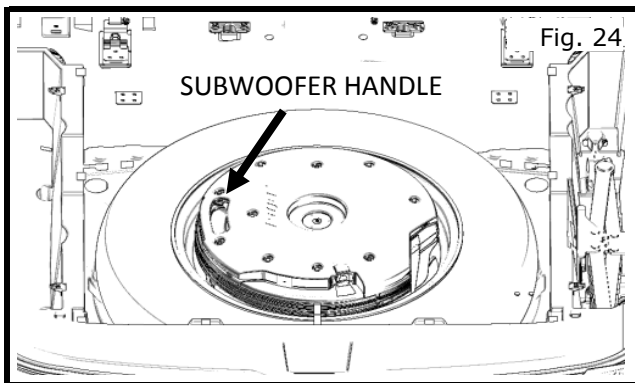
- 17) Removing subwoofer (if equipped).
 - a) Remove spare tire hold down by turning counter clockwise until free as shown in Fig. 21.



- 18) Removing subwoofer (if equipped).
 - a) Remove clip on harness from side of subwoofer as shown in Fig. 22.



- 19) Removing subwoofer (if equipped).
 - a) Remove connector from side of subwoofer as shown in Fig. 23.

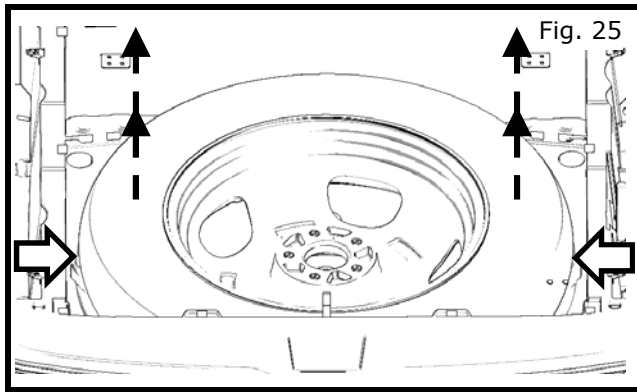


- 20) Removing subwoofer (if equipped)
 - a) Grasp subwoofer by handle and gently remove from spare tire shown in Fig. 24.

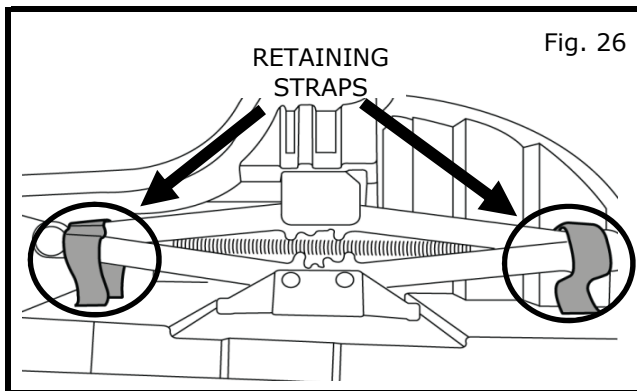
CAUTION

- Be careful not to damage subwoofer during removal.
- Store subwoofer in a safe clean area during the installation to avoid any risk of damage.

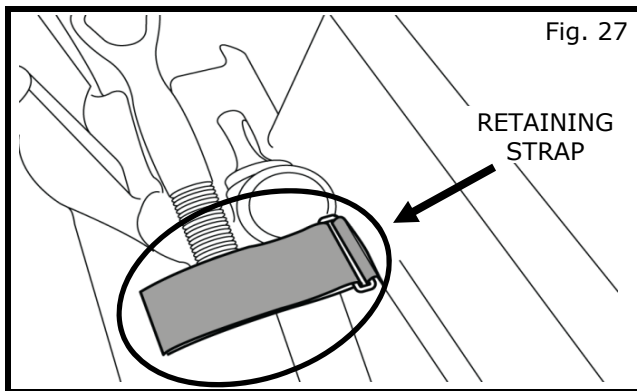
10 INSTALLATION PROCEDURE: VEHICLE PARTS REMOVAL



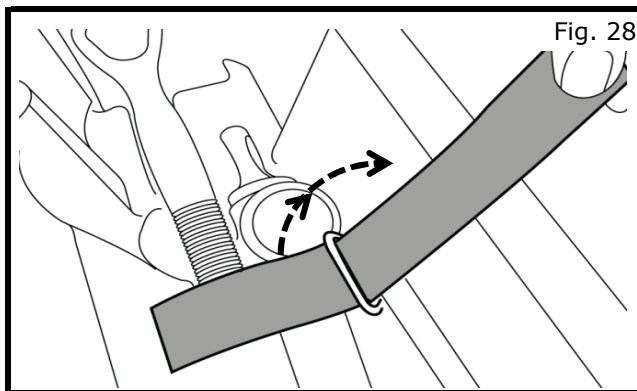
- 21) Removing spare tire
a) Grasp spare tire firmly by sides and carefully remove from vehicle shown in Fig. 25.



- 22) Removing RH storage bin.
a) Locate two (2) retaining straps as shown in Fig. 26.

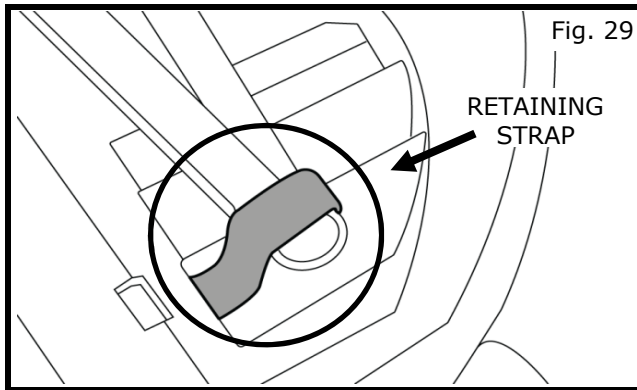


- 23) Removing RH storage bin.
a) Locate retention strap near jack handle key as shown in Fig. 27.

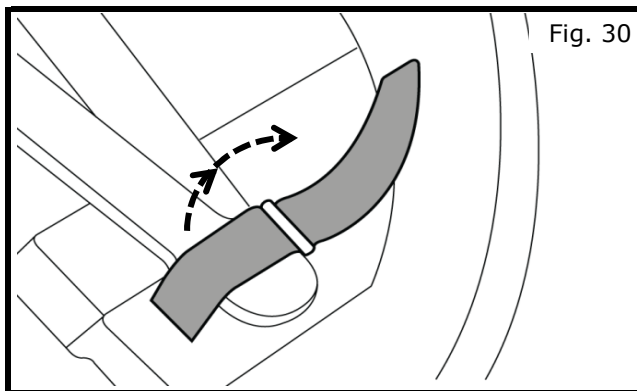


- 24) Removing RH storage bin.
a) Grasp strap by the end.
b) Lift strap and pull up and out towards the side of the vehicle as shown in Fig. 28.

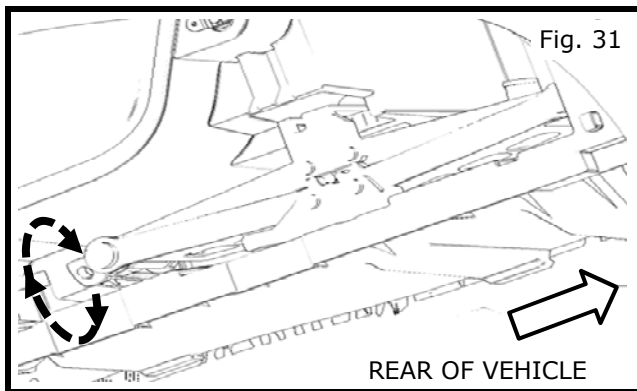
10 INSTALLATION PROCEDURE: VEHICLE PARTS REMOVAL



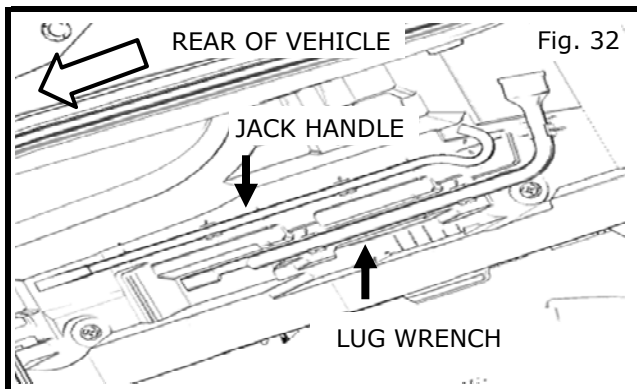
- 25) Removing the storage bin.
a) Locate retention strap near the bottom end of jack as shown in Fig. 29.



- 26) Removing RH storage bin.
a) Grasp strap by the end.
b) Lift strap and pull up and out towards the side of the vehicle as shown in Fig. 30.

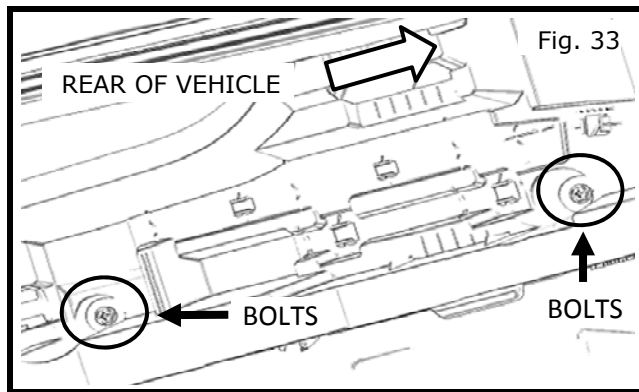


- 27) Removing RH storage bin.
a) Remove jack by turning key on jack counter clockwise to compress as shown in Fig. 31.

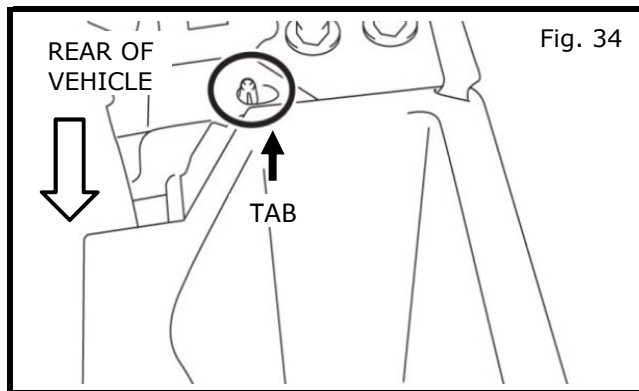


- 28) Removing the storage bin.
a) Remove lug wrench and jack handle from storage compartment as shown in Fig. 32.

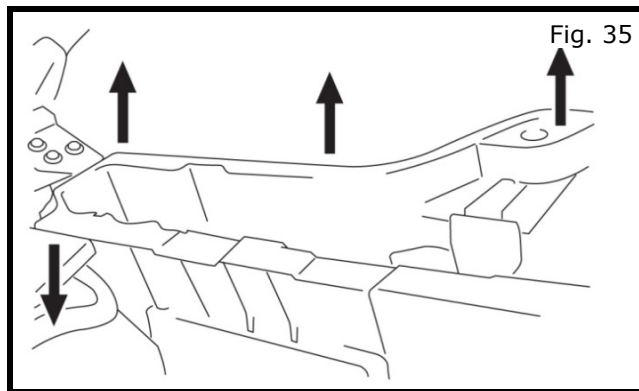
10 INSTALLATION PROCEDURE: VEHICLE PARTS REMOVAL



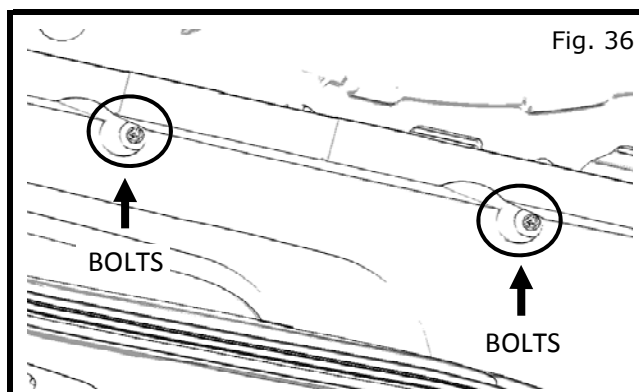
- 29) Removing the storage bin.
- Locate two (2) 10mm bolts at bottom of the jack storage compartment.
 - Using a 10mm socket loosen bolts and remove as shown in Fig. 33.



- 30) Removing RH storage bin.
- Pay close attention to retaining tabs on storage bin.
 - There is one (1) tab that faces upward at front of bin and (3) three that point down along RH edge where storage bin joins lower D-pillar as shown in Fig. 34.

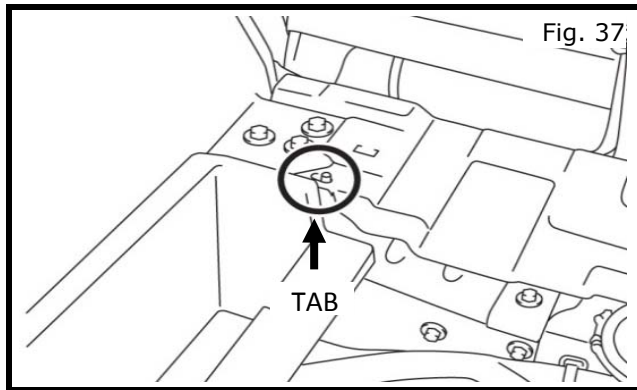


- 31) Removing RH storage bin.
- Gently pull upwards on rear of storage bin to free (3) three clips inserted into D-pillar as shown in Fig. 35.
 - Once side clips have been disengaged, with storage bin tilted upwards carefully slide to rear of vehicle to free front tab as shown in Fig. 35.

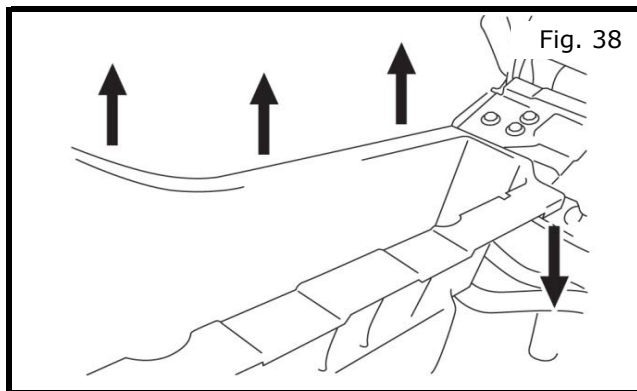


- 32) Removing LH storage bin.
- Locate two (2) 10mm bolts at bottom of the storage compartment.
 - Using a 10mm socket loosen bolts and remove as shown in Fig. 36.

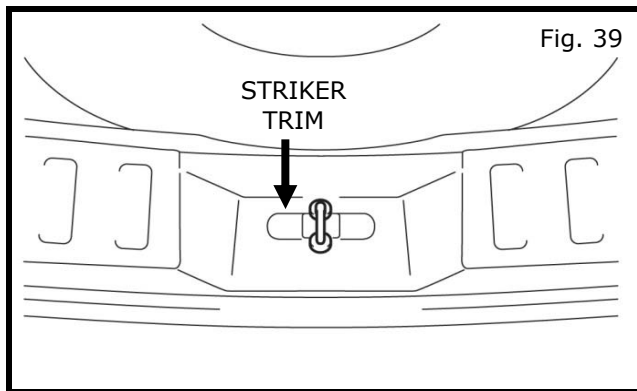
10 INSTALLATION PROCEDURE: VEHICLE PARTS REMOVAL



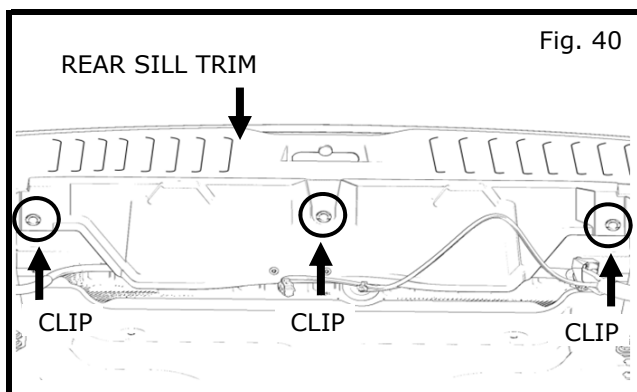
- 33) Removing LH storage bin.
- Pay close attention to the retaining tabs on storage bin.
 - There is one (1) tab that faces upward at front of bin and (3) three that point down along RH edge where storage bin joins lower D-pillar as shown in Fig. 37.



- 34) Removing LH storage bin.
- Gently pull upwards on the rear of the storage bin to free the (3) three clips inserted into the D-pillar trim as shown in Fig. 38.
 - Once the side clips have been disengaged, with the storage bin still tilted upwards carefully slide to the rear of the vehicle to free the front tab as shown in Fig. 38.

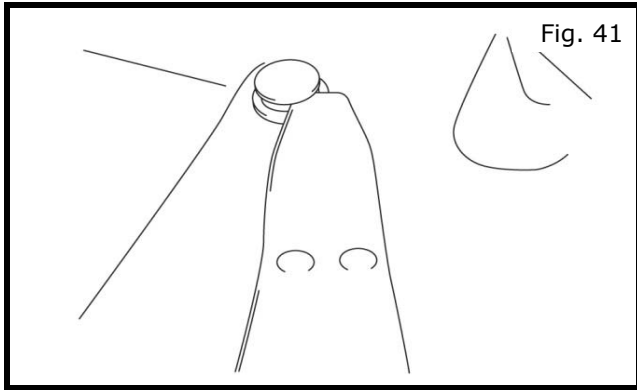


- 35) Removing rear sill trim.
- Remove striker trim piece with a nylon trim tool as shown in Fig. 39.

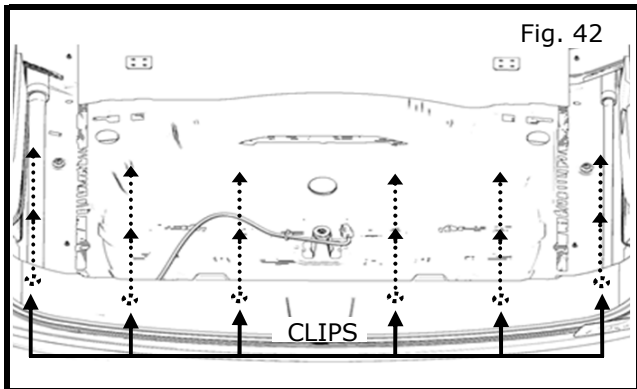


- 36) Removing rear sill trim.
- Locate the three (3) trim clips on the front edge of the rear sill trim as shown in Fig. 40.

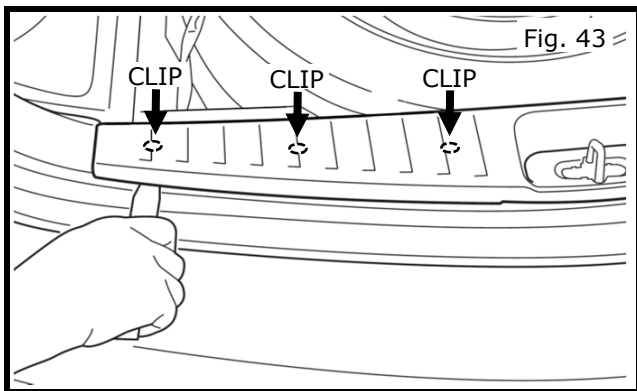
10 INSTALLATION PROCEDURE: VEHICLE PARTS REMOVAL



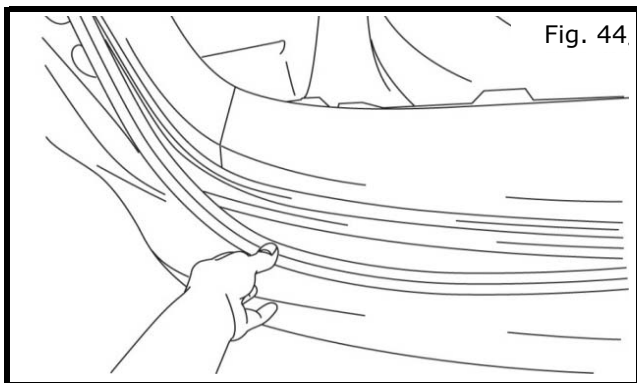
- 37) Removing rear sill trim.
a) Remove the trim clips on the front edge of the rear sill plate with a nylon trim tool as shown in Fig. 41.



- 38) Removing rear sill trim.
a) Locate six (6) clips along rear sill plate as shown in Fig. 42.



- 39) Removing D-pillar trim cargo hooks.
a) Gently pry rear sill plate up with a nylon trim tool as shown in Fig. 43.

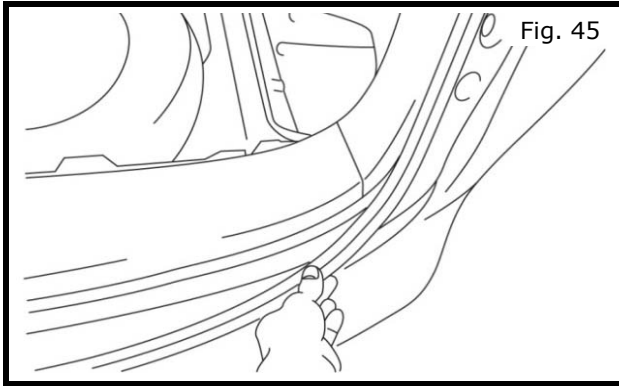


- 40) Removing rear bulb seal.
a) Carefully remove the bulb seal along the LH bottom of back door as shown in Fig. 44.

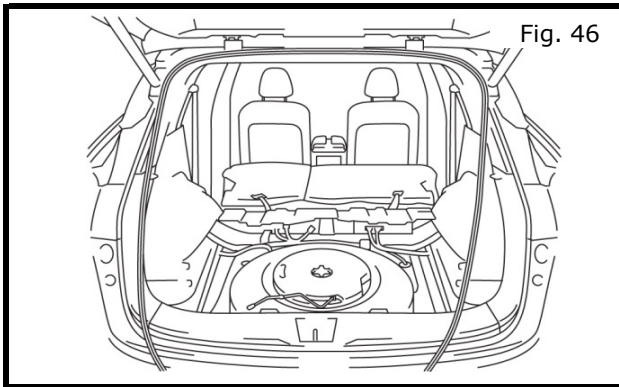
⚠ CAUTION

- Be careful not to damage bulb seal during removal.

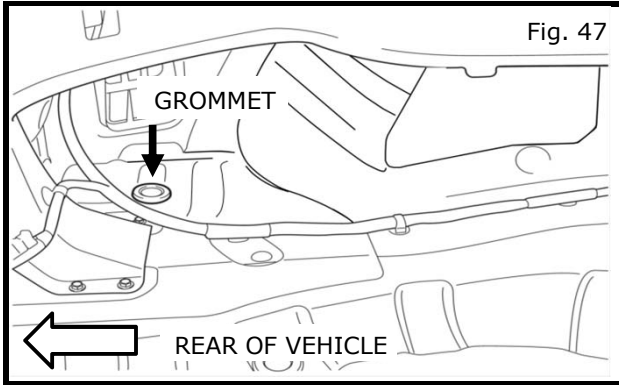
10 INSTALLATION PROCEDURE: VEHICLE PARTS REMOVAL



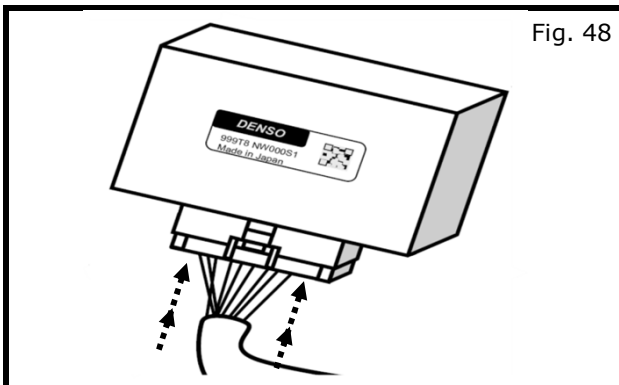
- 41) Removing rear bulb seal.
a) Carefully remove bulb seal along RH bottom of back door as shown in Fig. 45.



- 42) Removing rear bulb seal.
a) Carefully remove bulb seal along RH and LH side of back door then tuck out of installation area as shown in Fig. 46.

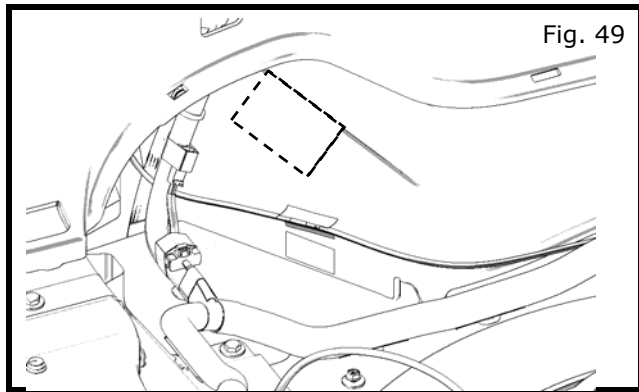


- 43) Interior Sub Harness Installation
a) Remove grommet as shown in Fig. 47.
b) Discard grommet.

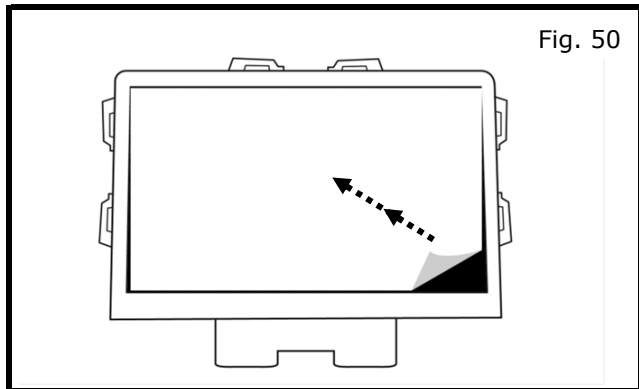


- 44) Converter Installation
a) Plug converter module into interior sub harness as shown in Fig. 48.

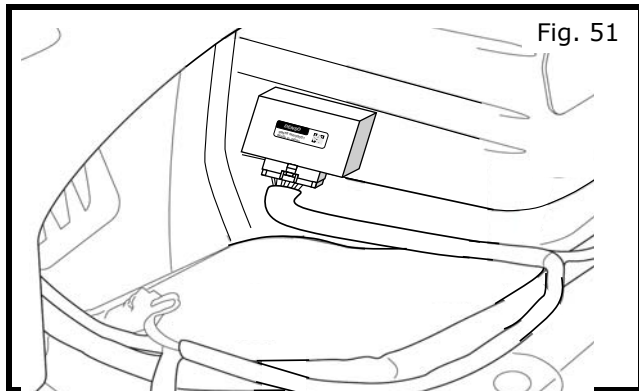
11 INSTALLATION PROCEDURE: VEHICLE PARTS INSTALLATION



- 45) Converter Installation
- Prep area designated for mounting with Isopropyl alcohol as shown in Fig. 49.



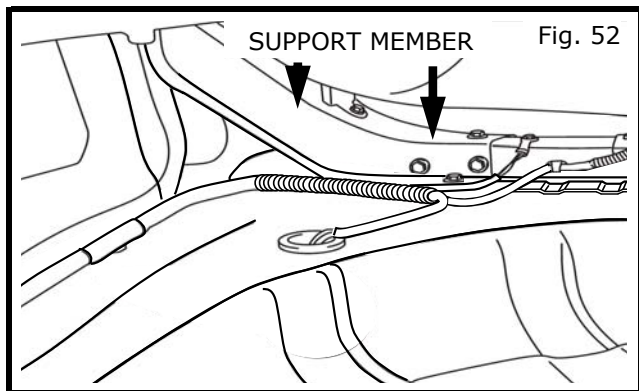
- 46) Converter Installation
- Peel protective film off of adhesive square on converter as shown in Fig. 50.



- 47) Converter Installation
- Press converter firmly into place, making certain even contact is made with surface as shown in Fig. 51.

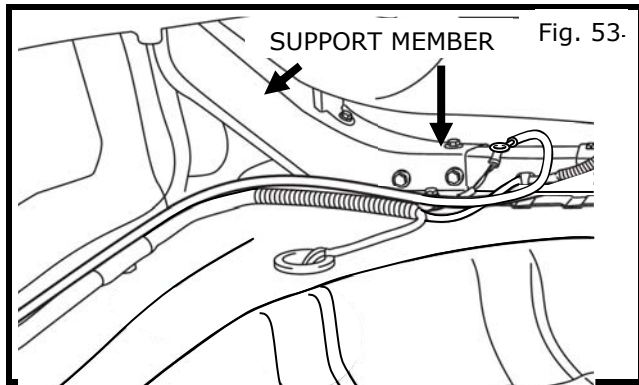
NOTE:

- Apply firm pressure for 10 - 15 seconds for proper tape adhesion.
- It is recommended to keep cable ties loose until entire sub harness has been routed to allow for final adjustment.



- 48) Interior Sub Harness Installation
- Locate harness ground on LH side of wheel member support assembly as shown in Fig. 52.
 - Using a 10mm socket loosen and remove ground bolt as shown in Fig. 52.

11 INSTALLATION PROCEDURE: VEHICLE PARTS INSTALLATION



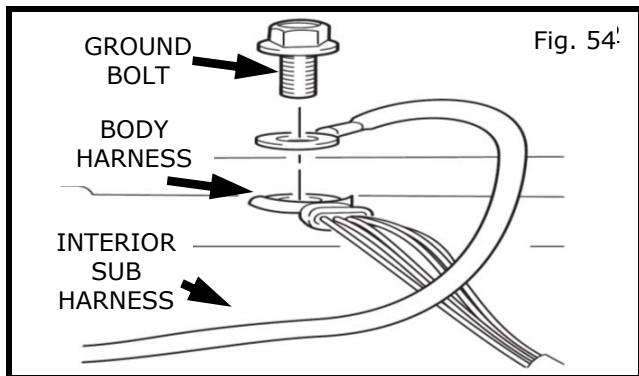
49)

Interior Sub Harness Installation

- a) Route interior sub harness ground to mounting location on support member as shown in Fig. 53.

CAUTION

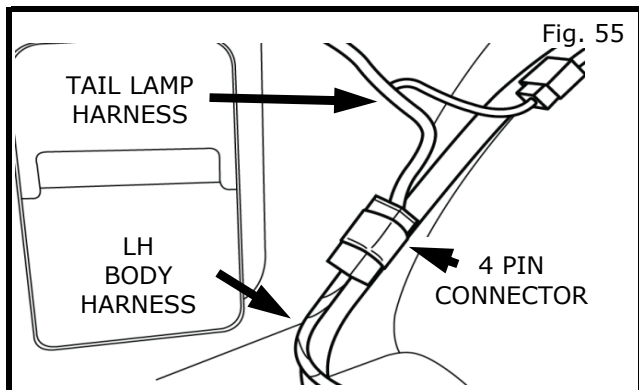
- **Make certain to route interior sub harness along the vehicle harness.**



50)

Interior Sub Harness Installation

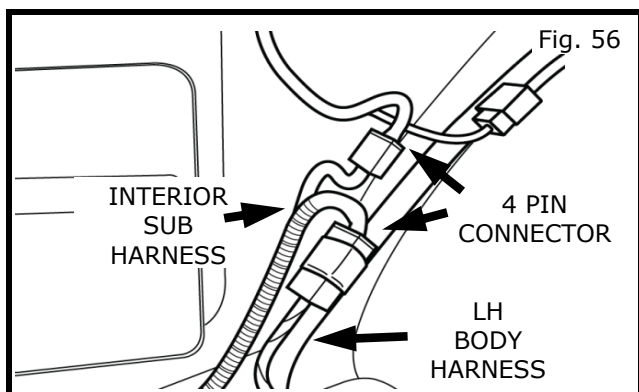
- a) Install ground bolt and tighten to 8 Nm as shown in Fig. 54.



51)

Interior Sub Harness Installation

- a) Locate LH side 4-pin tail lamp connector as shown in Fig. 55.

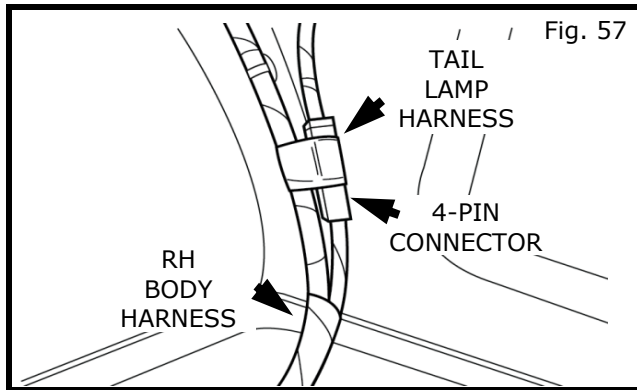


52)

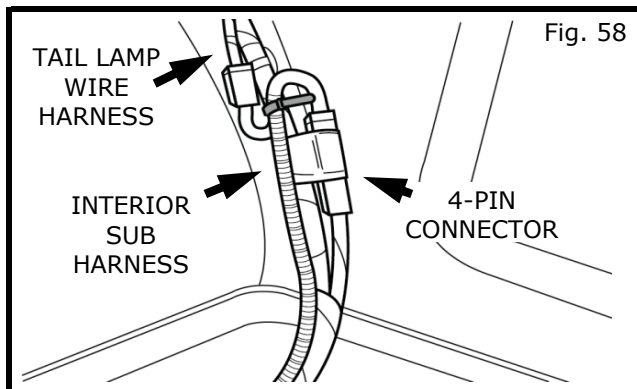
Interior Sub Harness Installation

- a) Disconnect LH side 4-pin tail lamp connector as shown in Fig. 56.
- b) Connect interior sub harness to LH side 4-pin tail lamp connector as shown in Fig. 56.

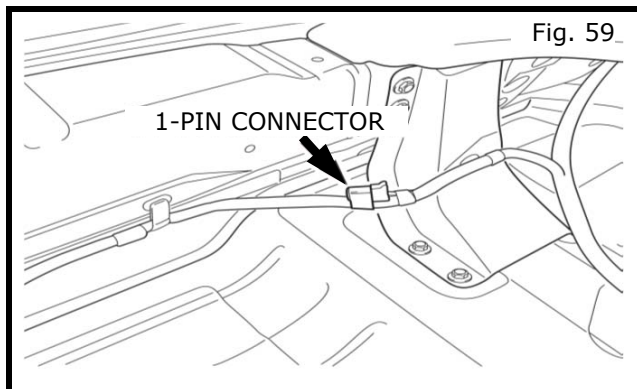
11 INSTALLATION PROCEDURE: VEHICLE PARTS INSTALLATION



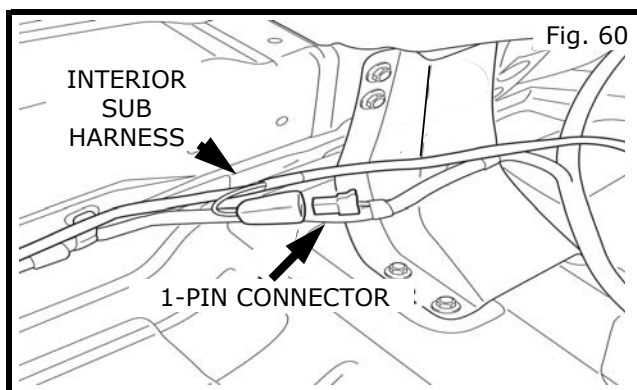
- 53) Interior Sub Harness Installation
- Locate RH side 4-pin tail lamp connector as shown in Fig. 57.



- 54) Interior Sub Harness Installation
- Disconnect the RH side 4-pin tail lamp connector as shown in Fig. 58.
 - Connect interior sub harness to the RH side 4-pin tail lamp connector as shown in Fig. 58.

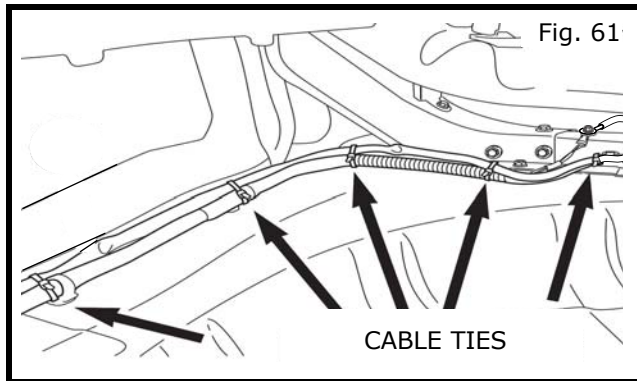


- 55) Interior Sub Harness Installation
- Locate pre wire connector on LH side of vehicle harness where it runs along the back of vehicle as shown in Fig. 59.
 - Pre wire connector is held in place with tear away tape, grasp firmly and gently pull free as shown in Fig. 59.



- 56) Interior Sub Harness Installation
- Connect interior sub harness to vehicle harness pre wire connector as shown in Fig. 60.

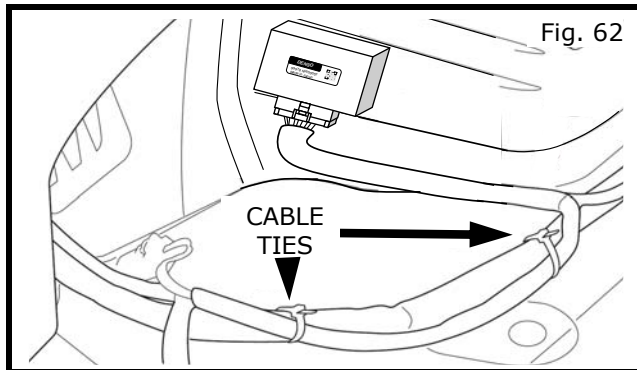
11 INSTALLATION PROCEDURE: VEHICLE PARTS INSTALLATION



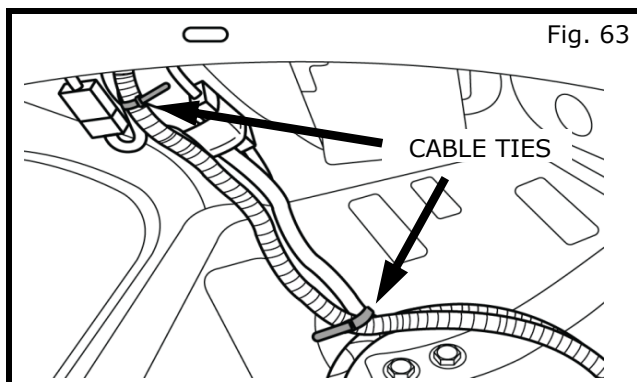
- 57) Interior Sub Harness Installation
- a) Place five (5) of cable ties loosely around the main harness and ground branch of interior sub harness as shown in Fig. 61.

⚠ CAUTION

- It is recommended to keep cable ties loose until the entire sub harness has been routed to allow for final adjustment.
- Make certain no cable ties are around the fuel door release cable before securing.



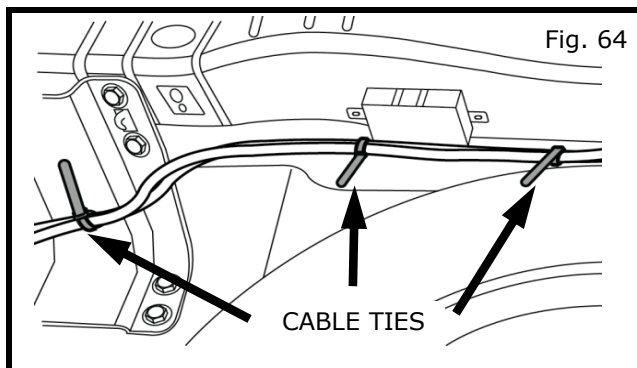
- 58) Interior Sub Harness Installation
- a) Place two (2) of cable ties loosely around main harness and converter branch of interior sub harness as shown in Fig. 62.



- 59) Interior Sub Harness Installation
- a) Place two (2) cable ties loosely around RH side 4-pin tail lamp harness and RH "T" branch of interior sub harness as shown in Fig. 62.

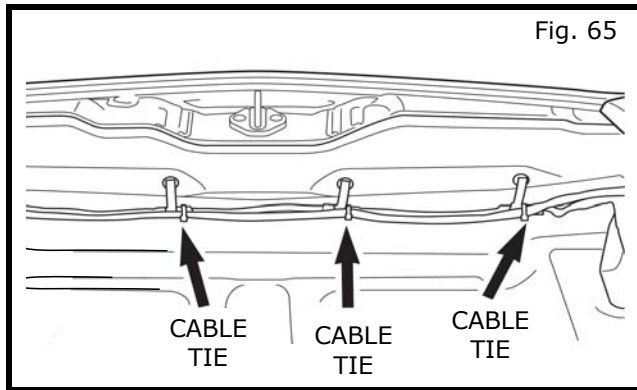
⚠ CAUTION

- Make sure there is enough slack let out to avoid any tension on the interior sub harness after cable ties have been secured.

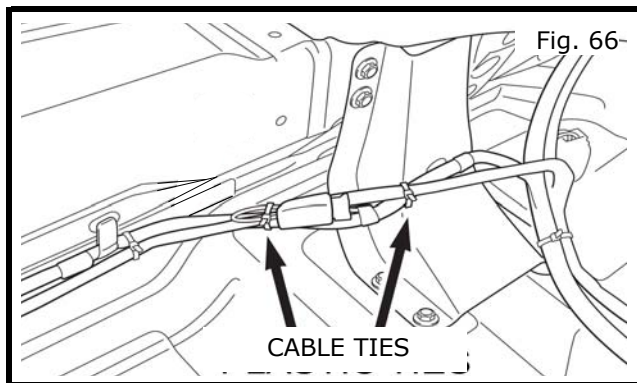


- 60) Interior Sub Harness Installation
- a) Place three (3) of cable ties loosely around main harness and interior sub harness on RH side of vehicle as shown in Fig. 64.

11 INSTALLATION PROCEDURE: VEHICLE PARTS INSTALLATION



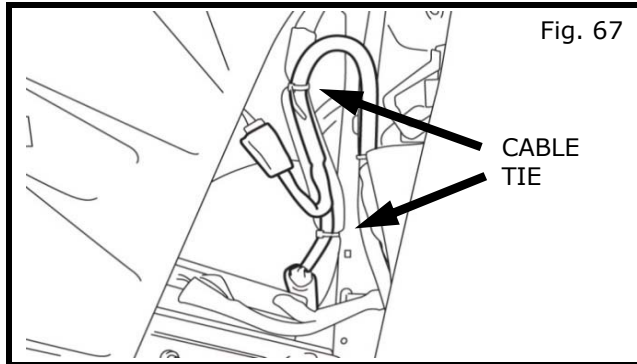
- 61) Interior Sub Harness Installation
- a) Place three (3) of cable ties loosely around main harness and interior sub harness on rear middle section of vehicle as shown in Fig. 74.



- 62) Interior Sub Harness Installation
- a) Place two (2) of cable ties loosely around main harness and pre wire connector branch of interior sub harness as shown in Fig. 75.

⚠ CAUTION

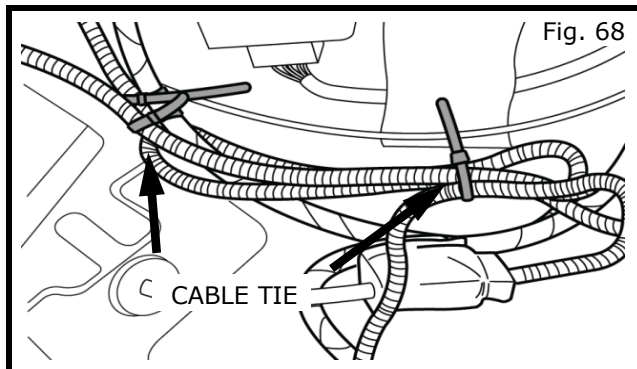
- Make sure connector is secured properly to prevent any possible movement.



- 63) Interior Sub Harness Installation
- a) Place two (2) of cable ties loosely around LH side 4-pin tail lamp harness and LH "T" branch of the interior sub harness as shown in Fig. 76.

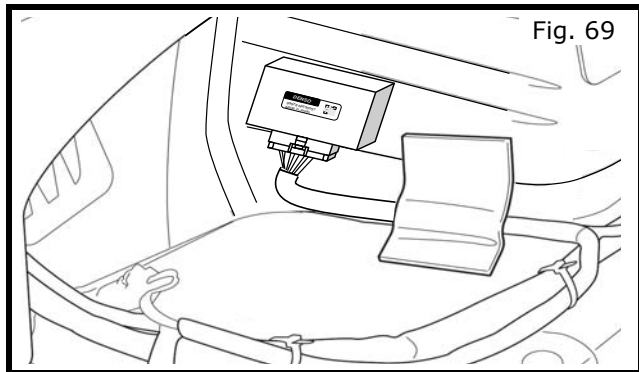
⚠ CAUTION

- Make sure there is enough slack let out to avoid any tension on the interior sub harness after cable ties have been secured.



- 64) Interior Sub Harness Installation
- a) Bundle any excess slack on LH side of near the corner as shown in Fig. 68.
- b) Place two (2) of cable ties loosely around bundled interior sub harness as shown in Fig. 68.

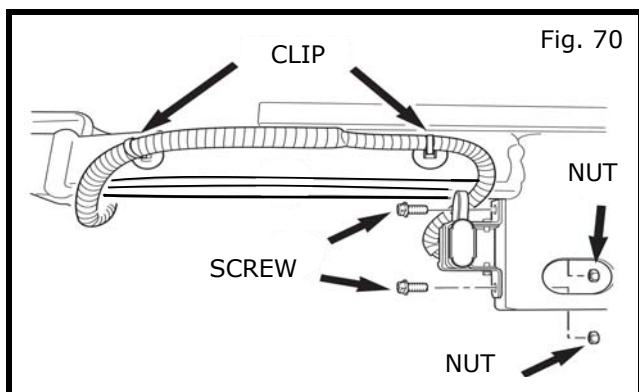
11 INSTALLATION PROCEDURE: VEHICLE PARTS INSTALLATION



- 65) Interior Sub Harness Installation
- Secure converter harness to body with one (1) piece of urethane tape as shown in Fig. 69.

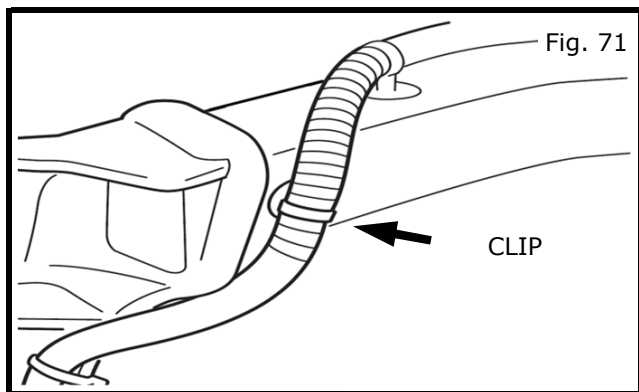
⚠ CAUTION

- Make certain no cable ties are around the fuel door release cable before securing.

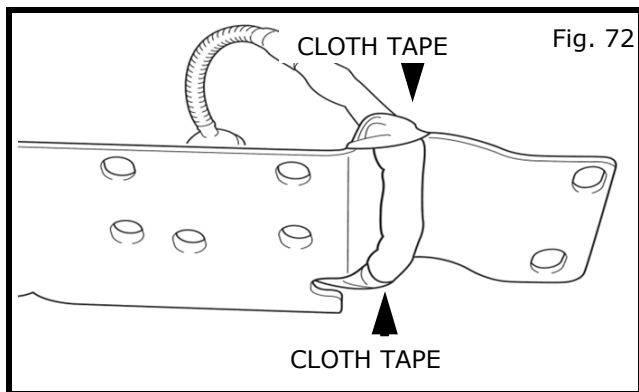


- 66) Exterior Sub Harness Installation
- Route 4-pin exterior harness along hitch member using retaining clips on harness as shown in Fig. 70.
 - Install flat 4-pin connector and bracket to hitch member using two (2) 8mm bolts and two (2) nuts as shown in Fig. 70.

NOTE: If the Hitch member has already been installed at this point it must be removed to route exterior wire harness.

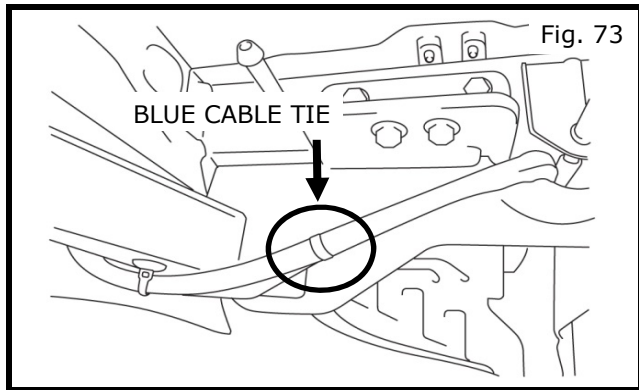


- 67) Exterior Sub Harness Installation
- Continue to route 4-pin exterior harness underneath hitch member using retaining clip on the harness as shown in Fig. 71.

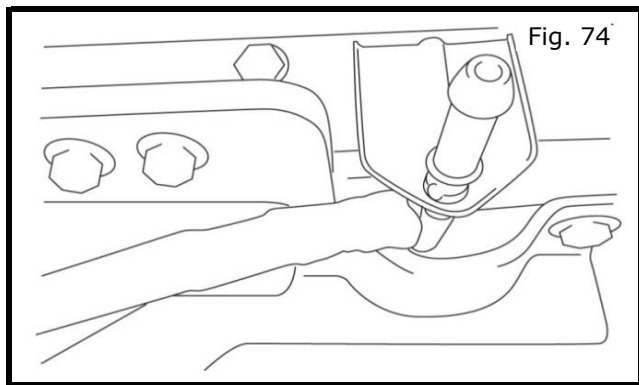


- 68) Exterior Sub Harness Installation
- Temporarily secure exterior wire harness to hitch member, using cloth tape, before installing it onto vehicle as shown in Fig. 72.

11 INSTALLATION PROCEDURE: VEHICLE PARTS INSTALLATION



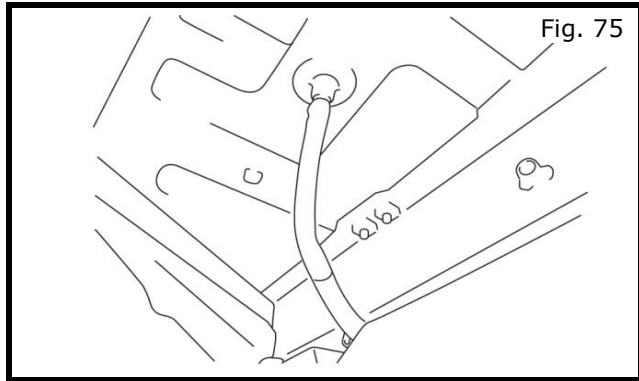
- 69) Exterior Sub Harness Installation
- Route exterior harness along inside of hitch member and secure it using one (1) blue cable tie (heat resistant) as shown in Fig. 73.



- 70) Exterior Sub Harness Installation
- Install hitch member onto vehicle according to manufacturer's specifications as shown in Fig. 74.

⚠ CAUTION

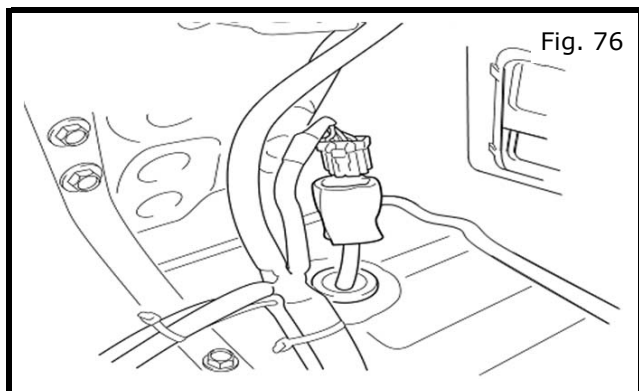
- Make sure the insulated portion of the wire harness is not pinched between the hitch member and the muffler hanger.



- 71) Exterior Sub Harness Installation
- Route 4-pin exterior harness connector from underside of the vehicle, and install grommet into hole as shown in Fig. 75.

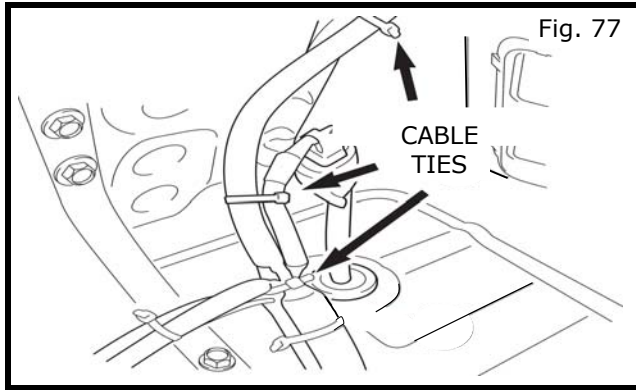
⚠ CAUTION

- Pass the grommet all the way through the hole, then seat the grommet. Make sure the grommet is completely seated and forms a seal before proceeding with the next steps.

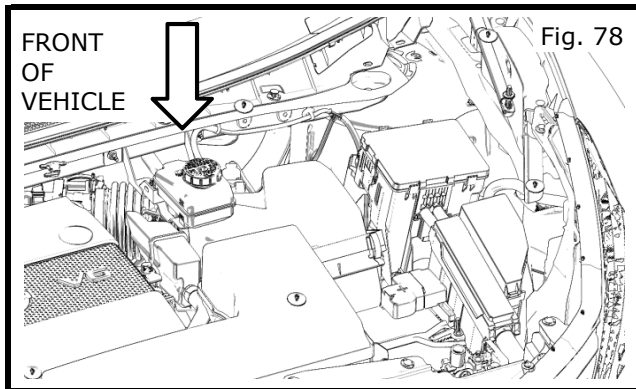


- 72) Interior / Exterior Sub Harness Connection
- Connect 4-pin exterior harness connector to 4-pin connector from interior harness as shown in Fig. 76.

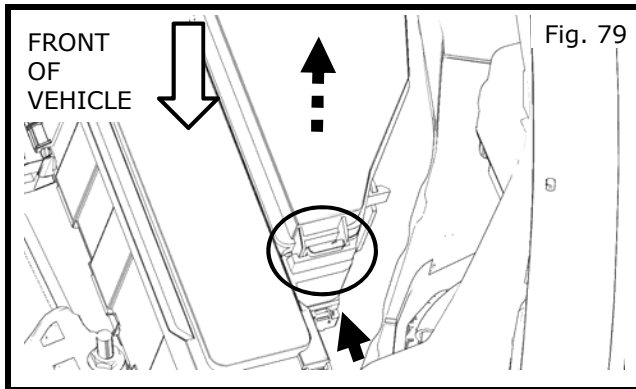
11 INSTALLATION PROCEDURE: VEHICLE PARTS INSTALLATION



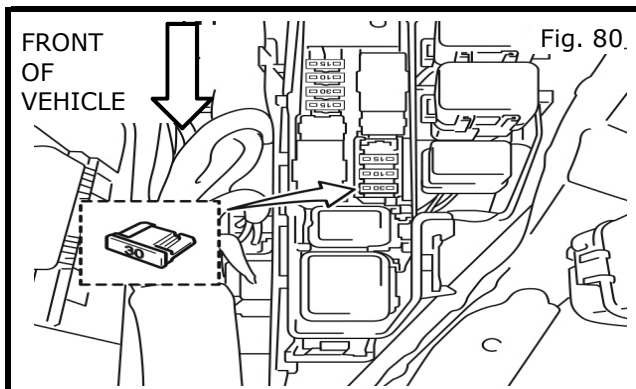
- 73) Interior / Exterior Sub Harness Connection
- Secure interior sub harness pre wire connector branch along main harness with three (3) cable ties as shown in Fig. 77.



- 74) Fuse Installation
- Locate under hood fuse box on the LH side of vehicle as shown in Fig. 78.



- 75) Fuse Installation
- Remove fuse box cover by pressing in towards cover to release locking tab and then pulling up as shown in Fig. 79.



- 76) Fuse Installation
- Install 30A fuse into last position in fuse block as shown in Fig. 80.

CAUTION

- The following steps assume that a trailer or harness tester is not available to verify that the system is operational.
- The remainder of this Check out requires two individuals to complete for safety purposes.
- If a trailer or tester is available complete the following steps by simply verifying the lamp operation of the trailer.
- If any of the lamps fail to illuminate, a volt meter should be used as described to verify wiring is operating correctly.

- Connect negative terminal to battery, Torque terminal nut to 5.4 Nm
- Verify vehicle is in the park position and the Ign Sw is in the on position, vehicle **should not** be running.
- Turn the switch on the column stalk to "ON" and confirm proper operation of Vehicle Systems
- Use volt meter to confirm voltage between the ground pin and LH Tail Lamp signal.
- Use volt meter to confirm voltage between the ground pin and RH Tail Lamp signal.
- Use volt meter to confirm voltage between the ground pin and LH stop signal when brake is depressed.
- Use volt meter to confirm voltage between the ground pin and RH stop signal when brake is depressed.
- Use volt meter to confirm voltage between the ground pin and LH turn signal when the column stalk is moved to the appropriate position.
- Use volt meter to confirm voltage between the ground pin and RH turn signal when the column stalk is moved to the appropriate position.
- If equipped, verify all window and sunroof one touch operation and perform the reset procedure if necessary. Refer to the vehicle service manual for more details.
- Power Back Door (If equipped). - Turn on the car, push and note if trunk opens.
- Tail Lamp - Turn on headlamps; open glove box and note whether light goes on.
- Start vehicle. Note whether vehicle starts.
- Verify accessory operation before proceeding to Section 11 Installation procedure for removed parts.
- Disconnect the negative battery terminal.

CAUTION

- Allow 3 min after key off and doors closed for vehicle to time out.
- Allow an additional 3 min after negative terminal dis-connect before separating any electrical connectors.

13 INSTALLATION PROCEDURE FOR REMOVED PARTS:

Re-install all removed vehicle parts. Refer to the vehicle service manual if more detail is needed

CAUTION

- Use caution when re-installing interior components to avoid damage, scratches or breaking of mounting clips.

- Install fuse box cover.
- Inspect the installation area for any debris.
- Make sure all trim clips are in their retainers and gently press the D-pillar trim panel into place.
- Install the LH storage bin.
- Install the RH storage bin.
- Install and secure the tow hook, handle, lug wrench and jack into the RH storage bin.
- Install the spare tire.
- Install the subwoofer.
- Install the spare tire hold down.
- Make sure all trim clips are in their retainers and gently press the rear sill plate into place.
- Install striker trim piece.
- Flip the vinyl cover for the amplifier shelf down to its original position.
- Install spare tire well cover.
- Make sure the trim clips are not damaged and gently press the seat back cover into place.
- Install seat back cover cargo hooks.
- Install the LH storage bin cover trim.
- Install the RH storage bin cover trim.
- Return 2nd row seats to their upright position.
- Install package cover (if so equipped).
- Connect negative terminal to battery, Torque terminal nut to 5.4 Nm

14 FINAL INSPECTION:

CAUTION

• Allow 3 min after Negative terminal connection with doors closed before unlocking and/or keying on the vehicle.

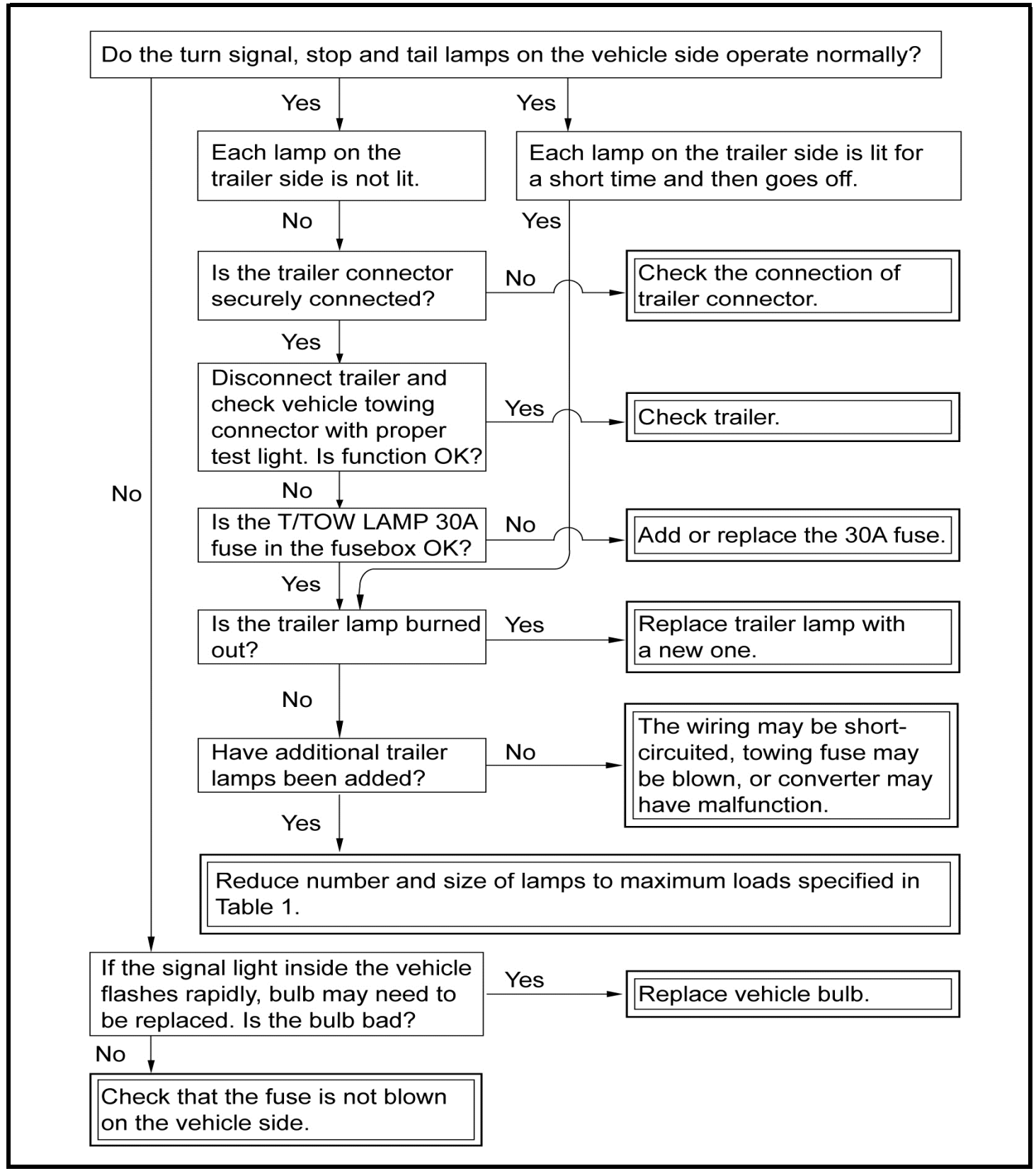
- Verify re-installed trim parts for proper flush fit (no gap, no waviness, etc.).
- Verify all clips are fully engaged and locked.
- Verify re-installed trim parts are free from cracks, scratches or stress marks.
- Verify vehicle seats, steering wheel, floor carpets, etc. are not soiled.
- Verify interior and exterior of vehicle is not damaged.
- Turn ignition switch to "ON" and confirm proper operation of vehicle systems and verify:
 - That there are no new Diagnostic Trouble Codes.
 - Verify all windows and sunroof (if equipped), one touch operation and perform the reset procedure if necessary. Refer to the vehicle service manual for more details.
 - Power Back Door (If equipped). - Turn on the car, push and note if trunk opens.
 - Tail Lamp - Turn on headlamps; open glove box and note whether light goes on.
- Front Sonar Module Connector - Turn on vehicle, put vehicle in 'Drive'. Move slowly towards a large object in front of the vehicle. Note whether alarm sounds
- Rear Sonar Module Connector - Turn on vehicle, put vehicle in 'Reverse'. Move slowly towards a large object behind the vehicle. Note whether alarm sounds.
- Place the Owner Manual, Quick Reference Guide, and/or other Manual in the glove box.
- If vehicle will be returned to dealer lot or showroom for an extended period, place the ESS in the "inventory" position. Refer to the Extended Storage Switch verbiage at the beginning of the 'INSTALLATION PROCEDURE'.
- Re-program radio presets and other vehicle settings to the recorded settings. No need to perform this step if the ESS was already in the "inventory" position.

15 DIAGNOSTIC FLOW CHART

Perform the following sequence of procedures if there are any lamp malfunctions.

CAUTION

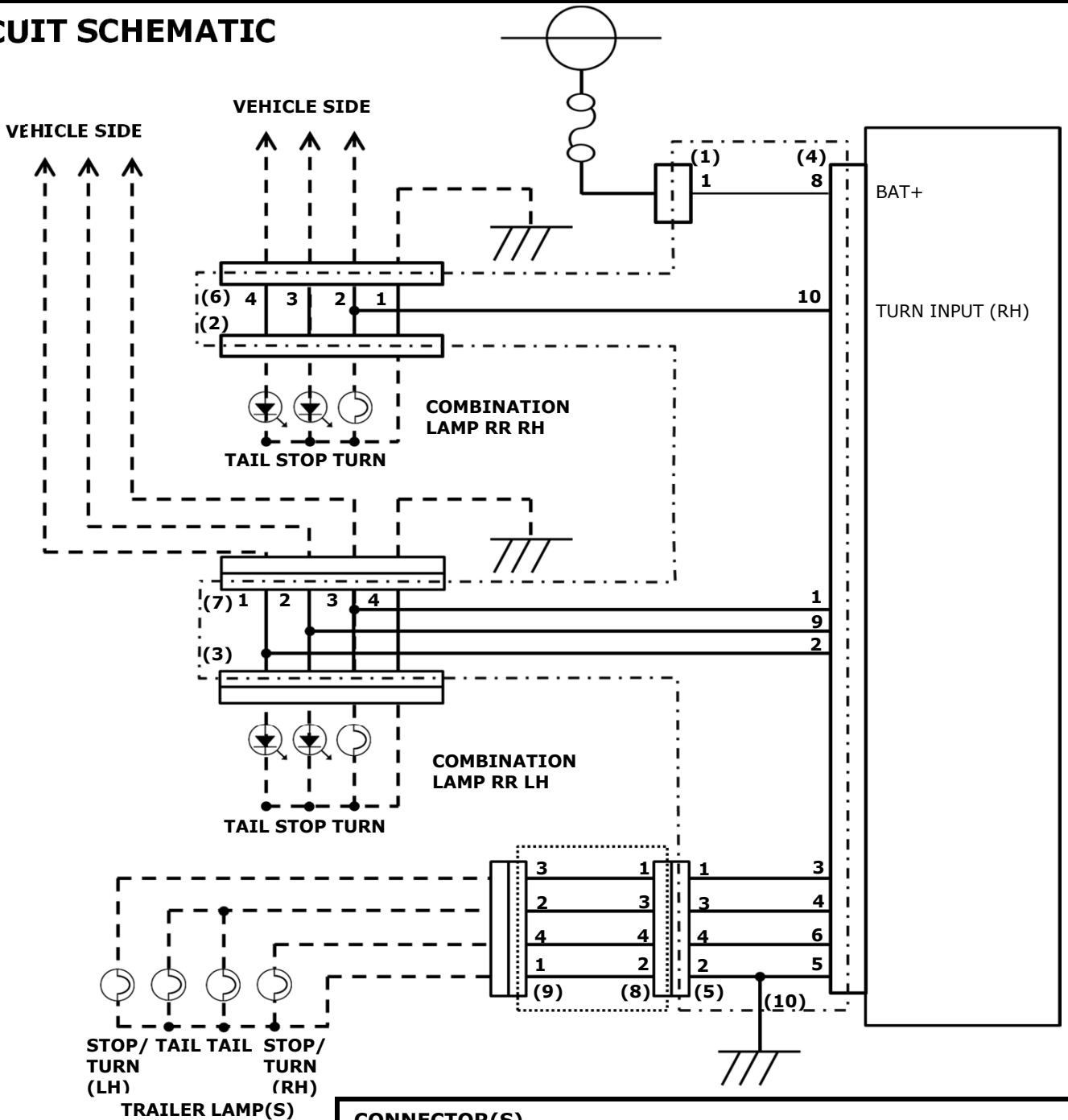
- Check that the headlamp switch is Off



999T8 C3010 Trailer Tow Harness

Item	Part Description	Qty.	Part Number
A	Exterior Harness	1	999T8 CU000S2
B	Interior Harness	1	N/A
C	Convertor	1	999T8 NW000S1
D	Owners Manual Kit	1	N/A
E	M5 Bolt	2	N/A
F	M5 Nut	2	N/A
G	30 A Mini Fuse	1	N/A
H	Heat Resistant Tie Wrap	3	N/A
I	Tie Wrap	25	N/A
J	Gray Foam tape	1	N/A
K	Installation Instructions Replacement Template	1	999V2 AW000
L	Installation Instructions	N/A	999T8 C3010II

CIRCUIT SCHEMATIC



LEGEND

- Harnesses not part of the kit
- Interior Sub Harness
- Exterior Sub Harness

CONNECTOR(S)

